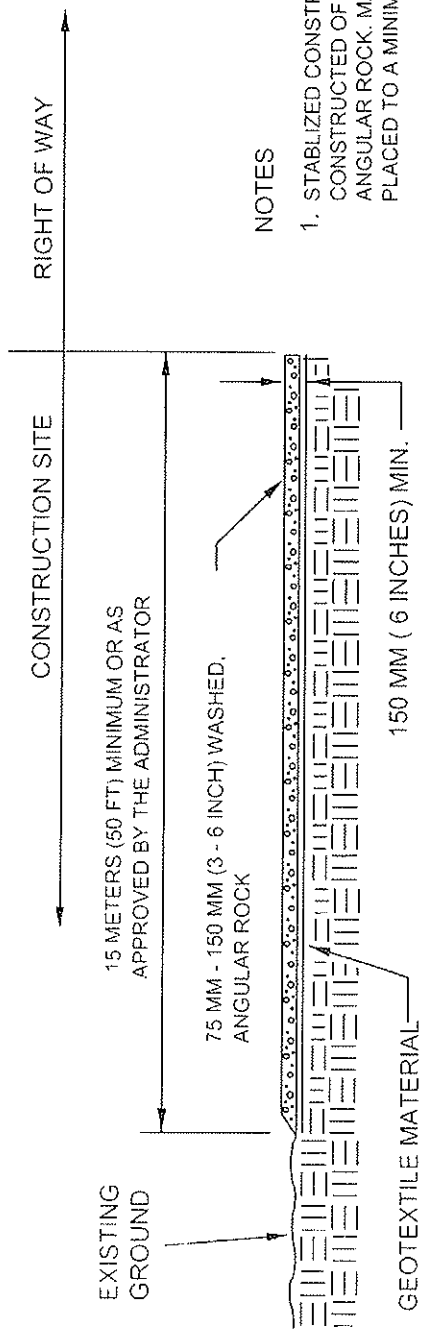


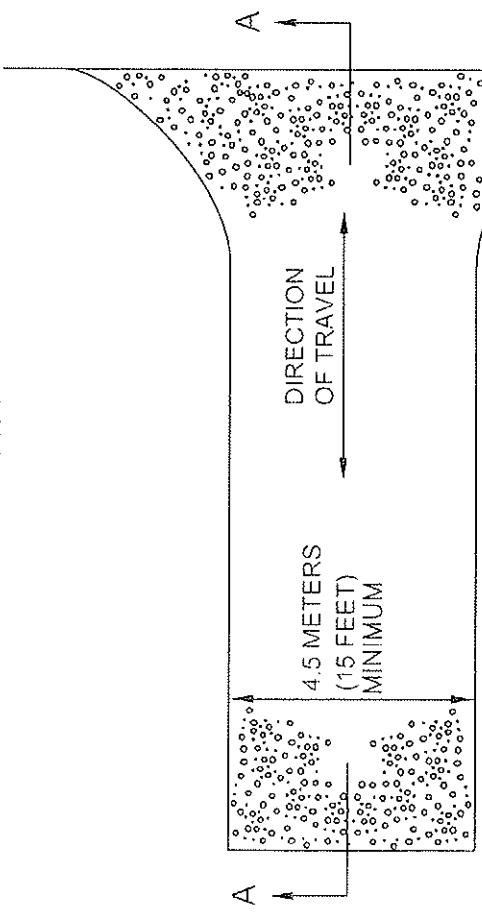
DRAWING NUMBER	TITLE
11-1	STABILIZED CONSTRUCTION SITE ACCESS (09/06)
11-2	SEDIMENT TRAP VEGETATED OUTLET (09/06)
11-3	SEDIMENT TRAP STABILIZED OUTLET (09/06)
11-4	FIBER ROLLS (09/06)
11-5	SILT FENCE (09/06)
11-6	CONCRETE WASHOUT (09/06)
11-7	INLET SEDIMENT CONTROL (09/06)
11-8	STORM DRAIN INLET FILTER BAG (09/06)
11-9	EROSION CONTROL BLANKETS/MATS CHANNEL INSTALLATION (09/06)
11-10	EROSION CONTROL BLANKETS/MATS SLOPE INSTALLATION (09/06)



**NOTES**

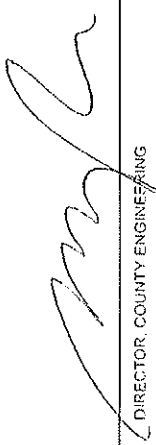
1. STABILIZED CONSTRUCTION SITE ACCESS SHALL BE CONSTRUCTED OF 75-125 MM (3-6 INCH) WASHED, ANGULAR ROCK. MATERIAL SHALL BE PLACED TO A MINIMUM THICKNESS OF 150 MM (6 INCHES).
2. LENGTH OF ENTRANCE SHALL BE A MINIMUM OF 15 METERS (50 FEET). WIDTH SHALL BE A MINIMUM OF 4.5 METERS (15 FEET) OR GREATER IF NECESSARY TO COVER ALL VEHICULAR INGRESS AND EGRESS. PROVIDE AMPLE TURNING RADII.
3. THE ENTRANCE SHALL BE KEPT IN GOOD CONDITION BY OCCASIONAL TOP DRESSING WITH MATERIAL AS SPECIFIED IN NOTE 1.
4. ACCESSES SHALL BE INSPECTED WEEKLY DURING PERIODS OF HEAVY USAGE, MONTHLY DURING NORMAL USAGE, AND AFTER EACH RAINFALL, WITH MAINTENANCE PROVIDED AS NECESSARY. PERIODIC TOP DRESSING SHALL BE DONE AS NEEDED.

**SECTION A-A**

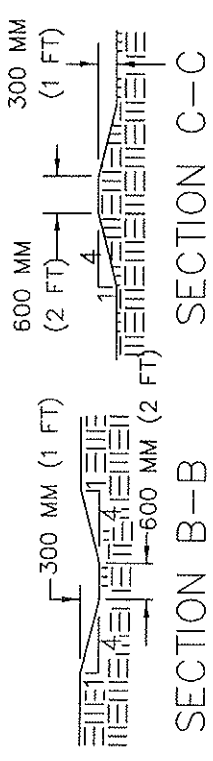


**PLAN VIEW**

<b>COUNTY OF SACRAMENTO MUNICIPAL SERVICES AGENCY</b>	
STABILIZED CONSTRUCTION SITE ACCESS	
SCALE: NONE DATE DRAWN: REV SEPT 2006 DRAWN BY: SLP	11-1

  
 DIRECTOR, COUNTY ENGINEERING

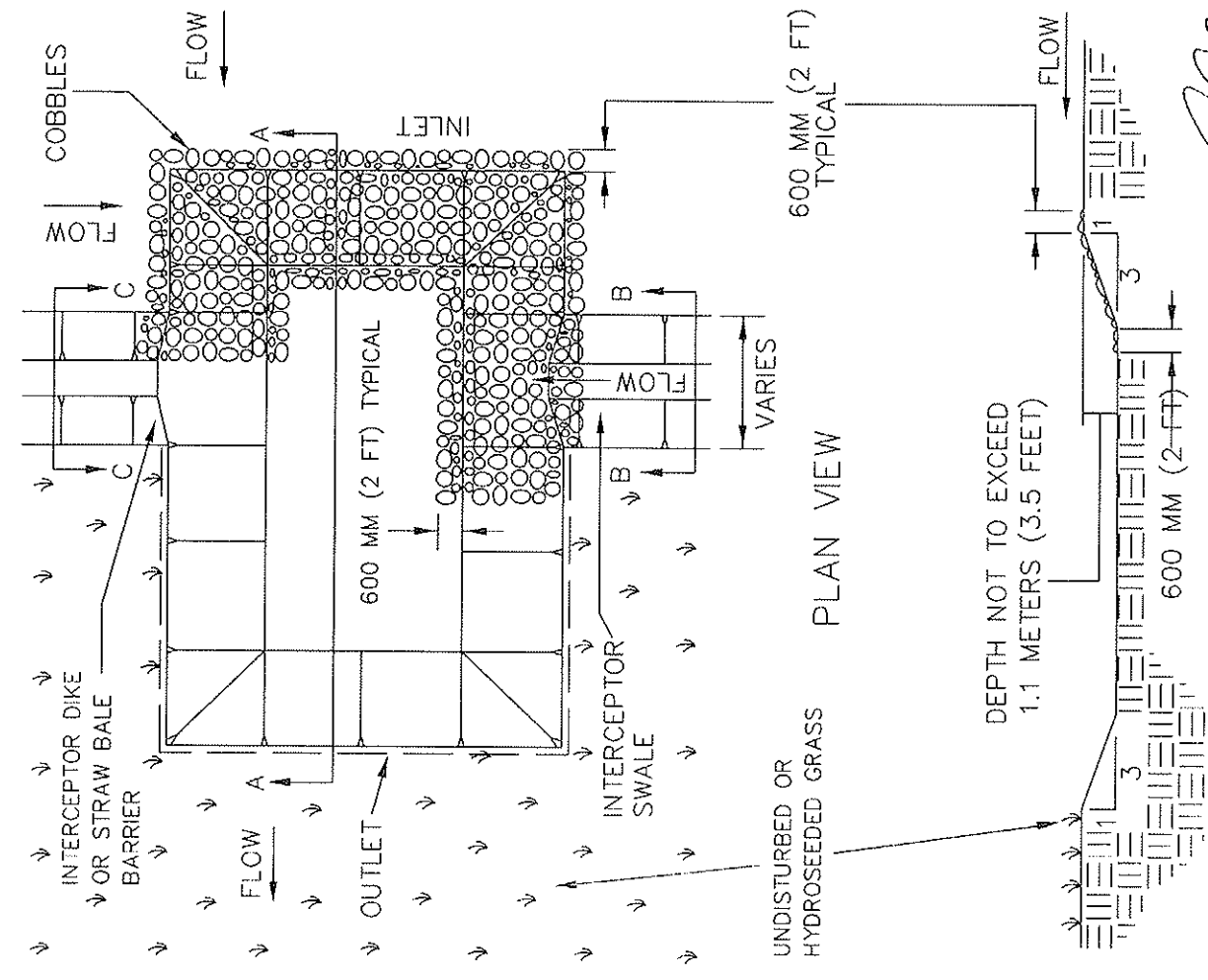
THIS DRAWING SUPERCEDES ALL PREVIOUS VERSIONS



SECTION B-B SECTION C-C

NOTES

1. DIMENSIONS OF SEDIMENT TRAPS, DIKS AND SWALES SHALL BE APPROVED BY THE ADMINISTRATOR.
2. INTERCEPTION DIKS AND SWALES SHALL BE CONSTRUCTED TO DRAIN SURFACE RUNOFF INTO SEDIMENT TRAPS.
3. TRAPS SHALL BE EXCAVATED WITH APPROPRIATE EQUIPMENT, TAKING CARE NOT TO DISTURB VEGETATION OR SOIL AT OUTLET CREST. SIDE SLOPES SHALL BE 3:1 OR FLATTER, MAXIMUM TRAP DEPTH SHALL BE 1.1 METERS (3.5 FEET).
4. COBBLES CONFORMING TO COUNTY STANDARD SPECIFICATIONS SHALL BE PLACED ON THE TOPS, SLOPES, AND BOTTOMS OF THE INLET SIDES. COBBLES SHALL EXTEND A MINIMUM OF 600 MM (2 FEET) BEYOND THE TOP AND TOE OF SLOPES.
5. PERIMETER OF THE SEDIMENT TRAP SHALL BE HYDROSEEDED 3 METERS (10 FEET) BEYOND EDGE OF EXCAVATION IF EXISTING VEGETATION IS THIN, DISTURBED, OR NONEXISTENT.
6. THE CONTRACTOR SHALL INSPECT SEDIMENT TRAPS WEEKLY AND AFTER EACH RAINFALL AND REPAIR AS NECESSARY. SEDIMENT SHALL BE REMOVED FROM THE BOTTOM OF THE TRAP WHEN 300MM (1 FOOT) DEEP OR LESS.



PLAN VIEW

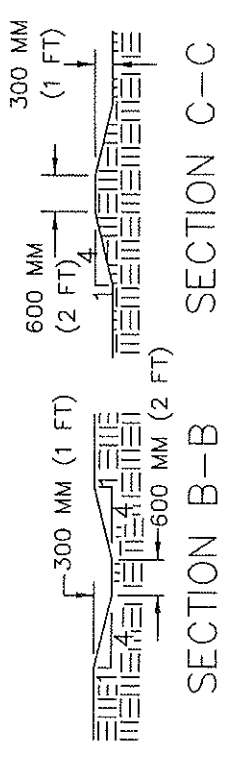
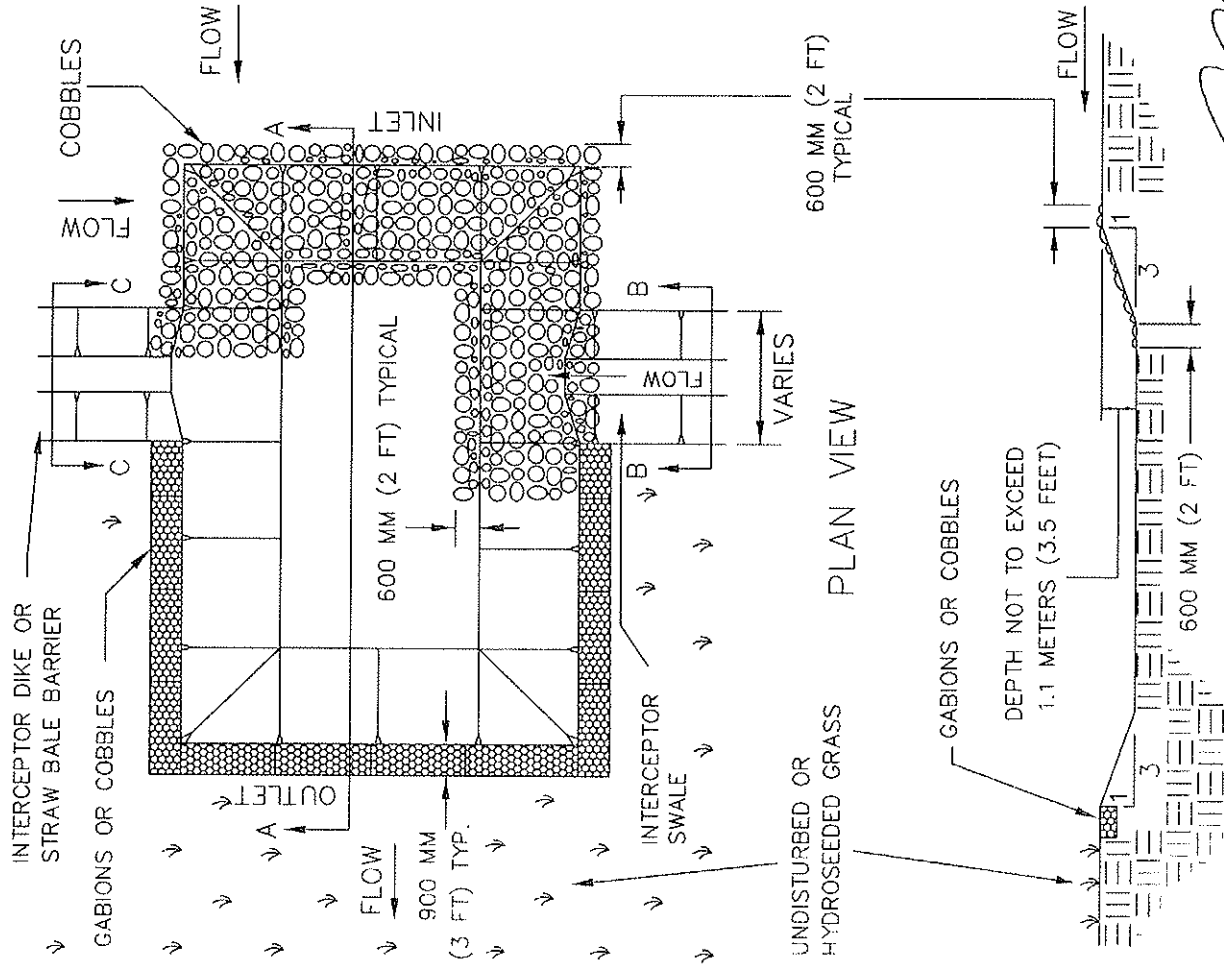
SECTION A-A

**COUNTY OF SACRAMENTO**  
**MUNICIPAL SERVICES AGENCY**  
 SEDIMENT TRAP  
 VEGETATED OUTLET

SCALE: NONE  
 DATE : REV. SEPT 2006  
 DRAWN BY: SLP

DIRECTOR, COUNTY ENGINEERING

THIS DRAWING SUPERCEDES ALL PREVIOUS VERSIONS



**NOTES**

1. DIMENSIONS OF SEDIMENT TRAPS, DIKES, AND SWALES SHALL BE APPROVED BY THE ADMINISTRATOR.
2. INTERCEPTION DIKES AND SWALES SHALL BE CONSTRUCTED TO DRAIN SURFACE RUNOFF INTO SEDIMENT TRAPS.
3. TRAPS SHALL BE EXCAVATED WITH APPROPRIATE EQUIPMENT, TAKING CARE NOT TO DISTURB VEGETATION OR SOIL AT OUTLET CREST. SIDE SLOPES SHALL BE 3:1 OR FLATTER. MAXIMUM TRAP DEPTH SHALL BE 1.1 METERS (3.5 FEET).
4. COBBLES CONFORMING TO COUNTY STANDARD SPECIFICATIONS SHALL BE PLACED ON THE TOPS, SLOPES, AND BOTTOMS OF THE INLET SIDES. COBBLES SHALL EXTEND A MINIMUM OF 600 MM (2 FEET) BEYOND THE TOP AND TOE OF SLOPES.
5. PERIMETER OF SEDIMENT TRAPS SHALL BE STABILIZED WITH GABIONS OR COBBLES AND HYDROSEED 3 METERS (10 FEET) BEYOND EDGE OF EXCAVATION IF EXISTING VEGETATION IS THIN, DISTURBED OR NONEXISTENT.
6. THE CONTRACTOR SHALL INSPECT SEDIMENT TRAPS WEEKLY AND AFTER EACH RAINFALL AND REPAIR AS NECESSARY. SEDIMENT SHALL BE REMOVED FROM THE BOTTOM OF THE TRAP WHEN 300 MM (1 FOOT) DEEP OR LESS.

**PLAN VIEW**

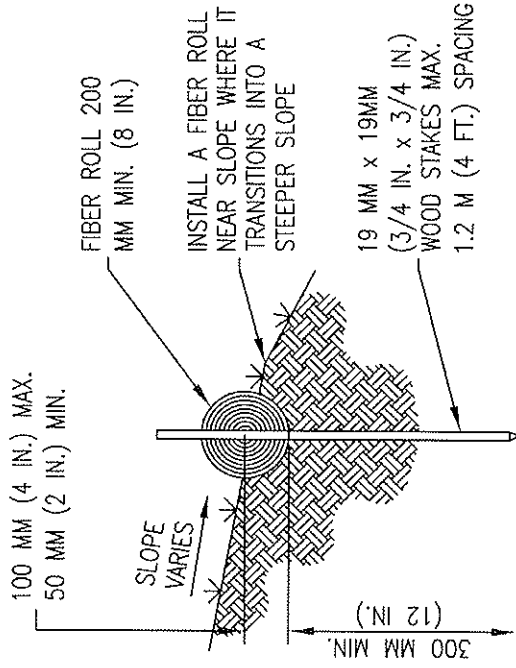
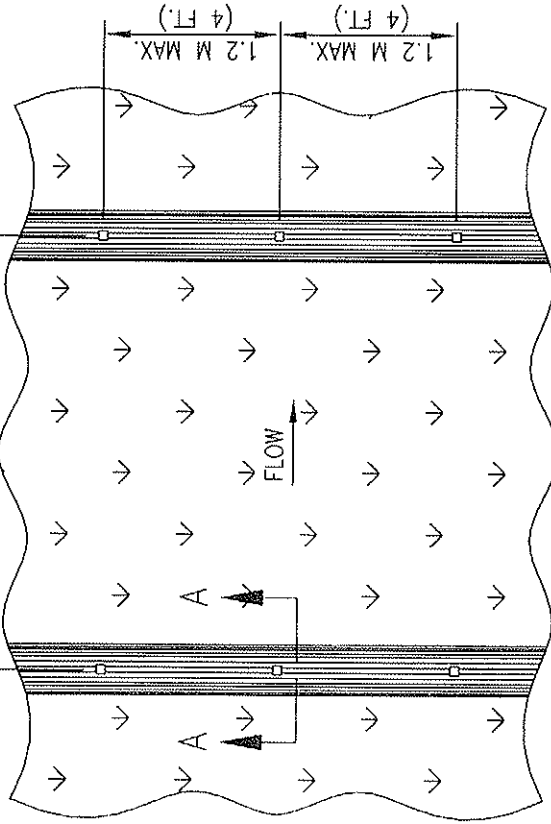
**SECTION A-A**

<b>COUNTY OF SACRAMENTO MUNICIPAL SERVICES AGENCY</b>	
SEDIMENT TRAP STABILIZED OUTLET	
SCALE: NONE DATE: REV. SEPT 2006 DRAWN BY: SLP	11-3

*[Signature]*  
DIRECTOR, COUNTY ENGINEERING

THIS DRAWING SUPERCEDES ALL PREVIOUS VERSIONS

VERTICAL SPACING MEASURED  
ALONG THE FACE OF THE SLOPE  
VARIES BETWEEN 2.4 M - 6.0 M  
(8 FT. - 20 FT.)



TYPICAL FIBER ROLL INSTALLATION

SECTION A - A

NOTES:

- 1.) INSTALL FIBER ROLLS IN A ROW ALONG A LEVEL CONTOUR.
- 2.) AT ENDS OF A ROW TURN THE LAST TWO FEET UP SLOPE SLIGHTLY.
- 3.) FIBER ROLLS SHALL BE BUTTED TIGHTLY AT THE JOINTS.
- 4.) DO NOT OVERLAP JOINTS.

**COUNTY OF SACRAMENTO  
MUNICIPAL SERVICES AGENCY**

**FIBER ROLLS**

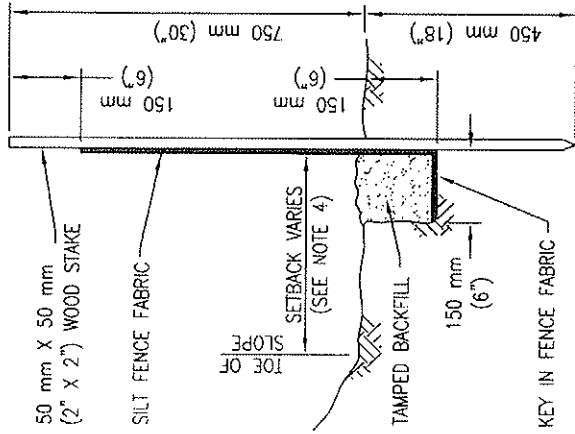
DRAWN BY: G.O.  
SCALE: NONE  
DATE: REV. SEPT 2006

**11-4**

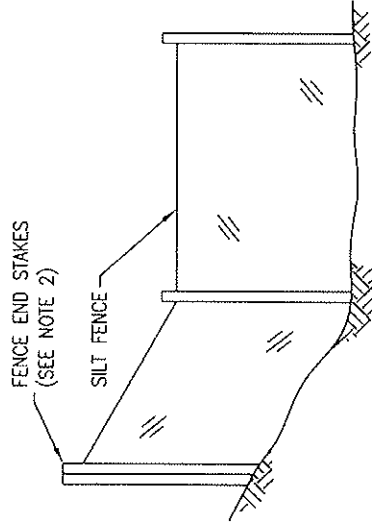
*[Signature]*  
DIRECTOR, COUNTY ENGINEERING

**NOTES:**

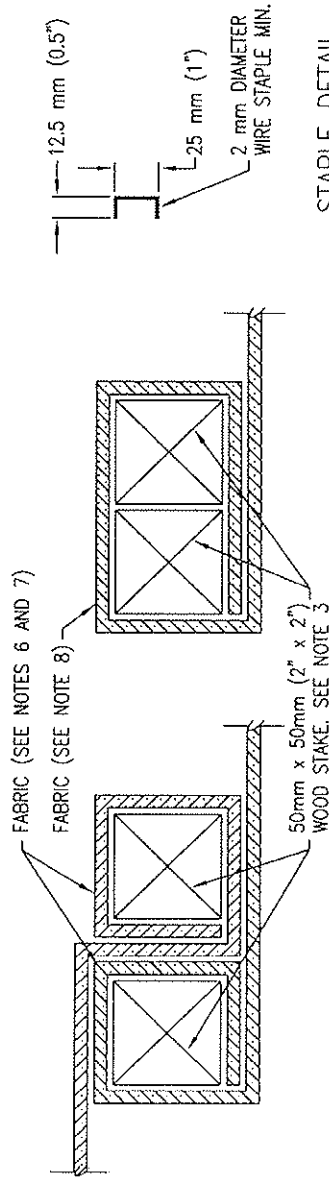
- 1.) CONSTRUCT THE LENGTH OF EACH REACH SO THAT THE CHANGE IN BASE ELEVATION ALONG THE REACH DOES NOT EXCEED 1/3 THE HEIGHT OF THE LINEAR BARRIER. IN NO CASE SHALL THE REACH LENGTH EXCEED 150M.
- 2.) THE LAST 8 FT. OF FENCE SHALL BE TURNED UP SLOPE.
- 3.) STAKE DIMENSIONS ARE NOMINAL
- 4.) DIMENSIONS MAY VARY TO FIT FIELD CONDITION.
- 5.) STAKES SHALL BE SPACED AT 8 FT. MAXIMUM AND SHALL BE POSITIONED ON THE DOWNSTREAM SIDE OF THE FENCE.
- 6.) OVERLAP STAKES, AND FOLD FENCE FABRIC TO AROUND EACH STAKE ONE FULL TURN.
- 7.) STAKES SHALL BE DRIVEN TIGHTLY TOGETHER TO PREVENT POTENTIAL FLOW THROUGH OF SEDIMENT AT THE JOINT.
- 8.) FOR END STAKE CONDITION FOLD FENCE FABRIC AROUND (2) STAKES (1) FULL TURN AND SECURE WITH (4) STAPLES. MINIMUM (4) STAPLES PER STAKE.
- 10.) CROSS BARRIERS SHALL BE A MINIMUM OF 1/3 AND A MAXIMUM OF 1/2 THE HEIGHT OF THE LINEAR BARRIER.



**FENCE SECTION DETAIL**




**FENCE END DETAIL**



**JOINT DETAIL**

**END STAKE DETAIL**

**STAPLE DETAIL**

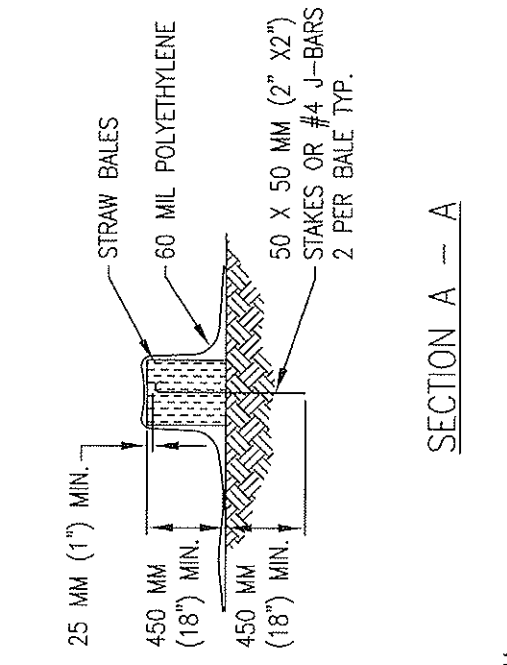
  
 DIRECTOR, COUNTY ENGINEERING

**COUNTY OF SACRAMENTO  
MUNICIPAL SERVICES AGENCY**

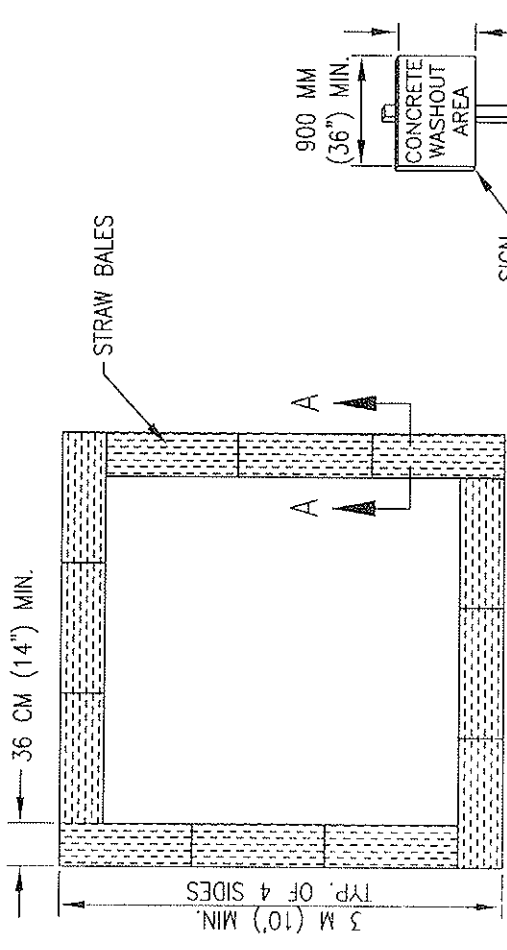
**SILT FENCE**

DRAWN BY: C.O.  
 SCALE: NONE  
 DATE: REV. SEPT 2006

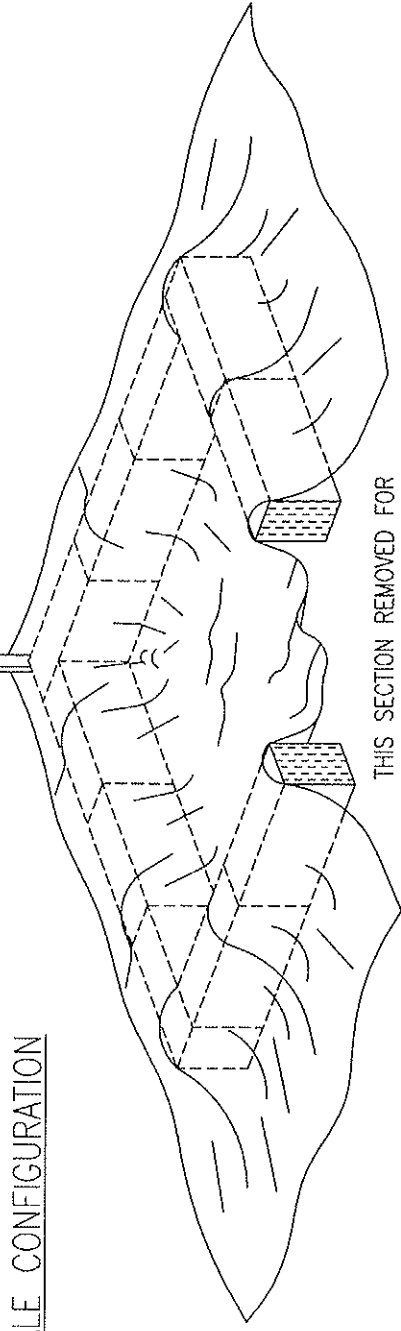
**11-5**



SECTION A - A



BALE CONFIGURATION



THIS SECTION REMOVED FOR GRAPHICAL REPRESENTATION ONLY. STRAW BALE PERIMETER SHALL BE CONTINUOUS.

NOTES:

- 1.) FACE SIGN TOWARD NEAREST STREET OR ACCESS POINT.
- 2.) CONCRETE WASHOUT SHALL BE LOCATED BEHIND THE CURB AND 15 M (50 FT.) MINIMUM FROM DRAINAGE INLETS OR WATERCOURSES

COUNTY OF SACRAMENTO  
MUNICIPAL SERVICES AGENCY

CONCRETE WASHOUT

DRAWN BY: G.O.  
SCALE: NONE  
DATE: REV. SEPT 2006

11-6

DIRECTOR, COUNTY ENGINEERING

GRAVEL BAG(S) OR OTHER ACCEPTED  
SEDIMENT CONTROL BMP. PLACE BAGS  
TIGHT AGAINST FACE OF CURB.

BACK OF CURB

FACE OF CURB

SEE NOTE 2

FLOW

45°

LIP OF GUTTER

DRAINAGE INLET  
WITH FILTER BAG

PLAN VIEW

NOTES:

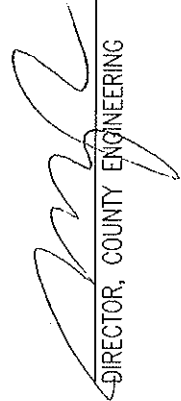
- 1.) SEDIMENT TRAPPED UPSTREAM OF  
SEDIMENT CONTROL BMP SHALL BE  
REMOVED WEEKLY AND PRIOR TO A  
RAINFALL EVENT.
- 2.) PLACE BMP'S TIGHTLY TOGETHER AT  
JOINTS TO PREVENT OR MINIMIZE  
SEEPAGE AT JOINTS.

**COUNTY OF SACRAMENTO  
MUNICIPAL SERVICES AGENCY**

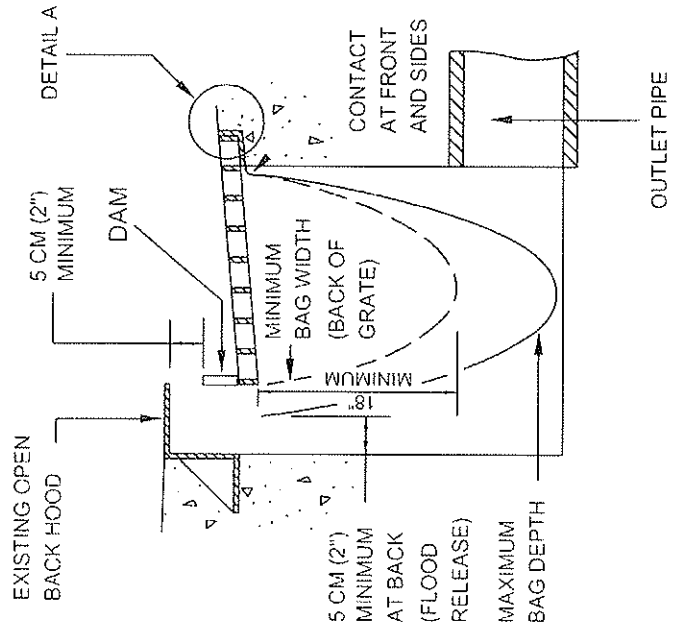
**INLET SEDIMENT  
CONTROL**

DRAWN BY: G.O.  
SCALE: NONE  
DATE: REV. SEPT. 2006

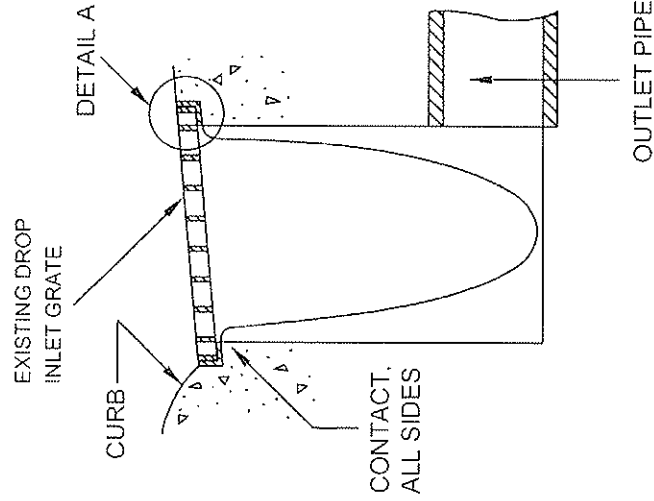
**11-7**

  
DIRECTOR, COUNTY ENGINEERING

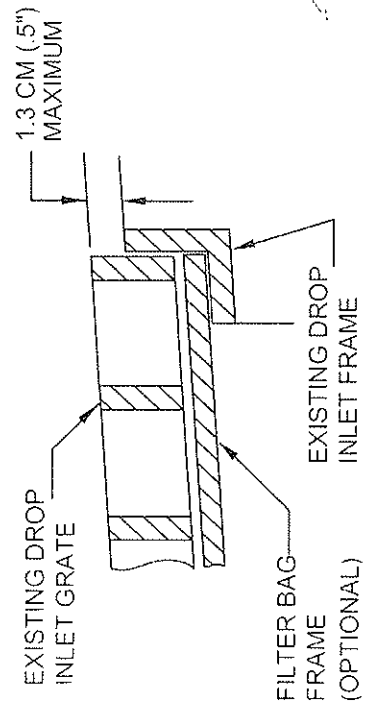
PLACEMENT AT TYPE  
B AND E DROP INLETS



PLACEMENT AT TYPE  
A, C, D, & F DROP INLETS  
AND PARKING LOTS



DETAIL A



NOTES

1. THE MAXIMUM DRAINAGE AREA PER FILTER SHALL BE NO MORE THAN 0.8 HECTARES (2 ACRES).
2. THE FILTER BAG SHALL BE MANUFACTURED FROM UV RESISTANT POLYPROPYLENE, NYLON, POLYESTER, OR ETHYLENE FABRIC WITH A MINIMUM TENSILE STRENGTH OF 50 LBS PER LINEAL FOOT, AN EQUIVALENT OPENING SIZE NOT GREATER THAN 20 SIEVE AND WITH A MINIMUM FLOW RATE OF 40 GALLONS/MINUTE/SQ FT.
3. THE FILTER BAG MAY BE SUSPENDED FROM OR HELD IN PLACE BY THE EXISTING INLET GRATE (OR OTHER APPROVED METHOD), PROVIDING NO MODIFICATION OR DAMAGE SHALL BE DONE TO THE INLET GRATE OR FRAME. THE INLET GRATE SHALL NOT BE CAUSED TO REST MORE THAN 13MM (.5") ABOVE THE INLET FRAME (SEE DETAIL A).
4. THE FILTER BAG MAY EXTEND TO THE BOTTOM OF THE INLET BOX PROVIDED THE OUTLET PIPE IS UNOBSTRUCTED.
5. FLOWS SHALL NOT BE ALLOWED TO BYPASS THE BAG. THE BAG OR ITS FRAME SHALL CATCH FLOWS AT ALL SIDES OF THE INLET, EXCEPT AS SHOWN FOR FLOOD RELEASE.
6. INLET FILTER BAGS SHALL BE INSPECTED WEEKLY AND AFTER EACH RAINFALL DURING THE WET SEASON AND MONTHLY DURING THE DRY SEASON. SEDIMENT AND DEBRIS SHALL BE REMOVED BEFORE ACCUMULATIONS HAVE REACHED ONE THIRD THE DEPTH OF THE BAG. BAGS SHALL BE REPAIRED OR REPLACED AS SOON AS DAMAGE OCCURS.

COUNTY OF SACRAMENTO  
MUNICIPAL SERVICES AGENCY

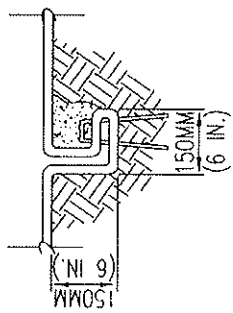
STORM DRAIN INLET  
FILTER BAG

SCALE: NONE  
DATE DRAWN: REV. SEPT 2005  
DRAWN BY: SLP

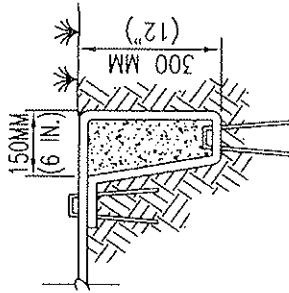
DIRECTOR, COUNTY ENGINEERING

THIS DRAWING SUPERCEDES ALL PREVIOUS VERSIONS

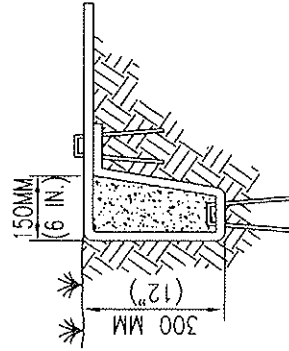
11-8



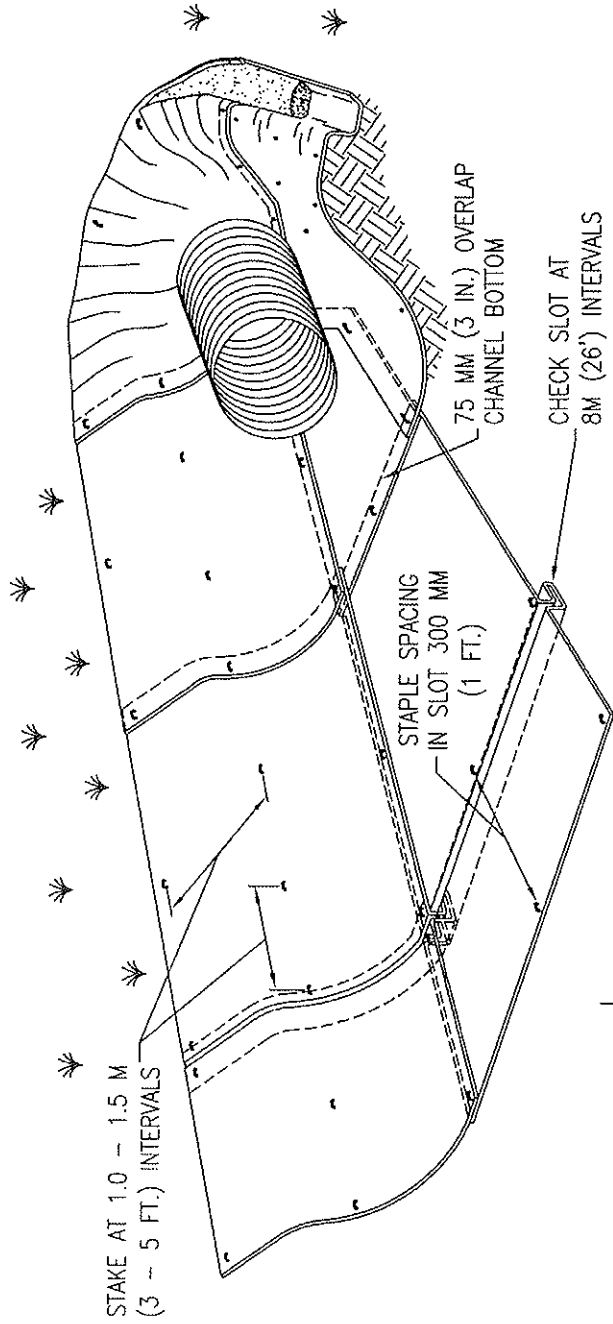
CHECK SLOT



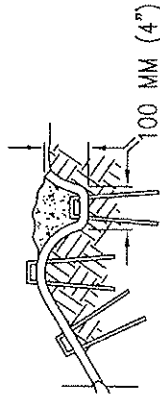
INITIAL CHANNEL ANCHOR TRENCH



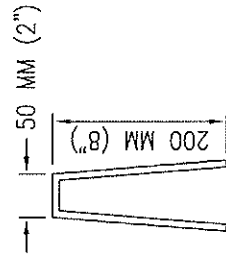
TERMINAL SLOPE AND CHANNEL ANCHOR TRENCH



TYPICAL CHANNEL SOIL STABILIZATION



LONGITUDINAL ANCHOR TRENCH

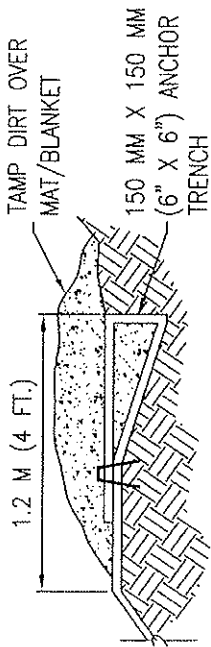


WIRE STAPLES

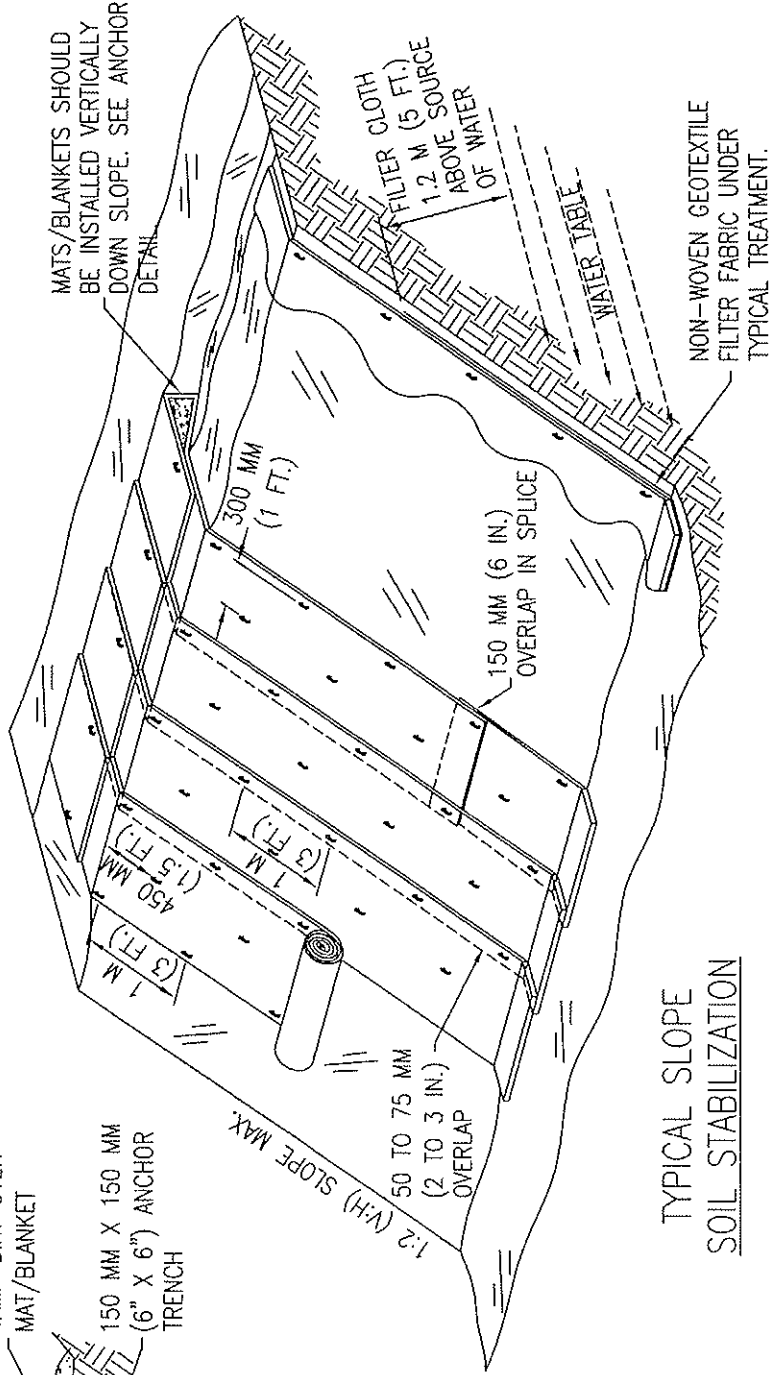
*[Signature]*  
DIRECTOR, COUNTY ENGINEERING

<b>COUNTY OF SACRAMENTO MUNICIPAL SERVICES AGENCY</b>
<b>EROSION CONTROL BLANKETS / MATS CHANNEL INSTALLATION</b>
<small>DRAWN BY: G.O. SCALE: NONE DATE: REV SEPT 2006</small>
<b>11-9</b>

NOTE:  
1.) CONSTRUCTION OF CHECK SLOTS, STAKING, STAPLING LAYOUT, AND MAT INSTALLATION ALL TO BE DONE PER MANUFACTURER'S SPECIFICATIONS.



ANCHOR DETAIL



TYPICAL SLOPE  
SOIL STABILIZATION

WET SLOPE LINING

NON-WOVEN GEOTEXTILE  
FILTER FABRIC UNDER  
TYPICAL TREATMENT.

- NOTES:
- 1.) SLOPE SURFACE SHALL BE FREE OF ROCKS, CLODS, STICKS AND GRASS. MATS/BANKETS SHALL HAVE GOOD SOIL CONTACT.
  - 2.) LAY BANKETS LOOSELY AND STAKE OR STAPLE TO MAINTAIN DIRECT CONTACT WITH THE SOIL. DO NOT STRETCH.
  - 3.) INSTALL PER MANUFACTURER'S RECOMMENDATIONS.

**COUNTY OF SACRAMENTO  
MUNICIPAL SERVICES AGENCY**

**EROSION CONTROL  
BLANKETS / MATS  
SLOPE INSTALLATION**

DRAWN BY: G.O.  
SCALE: NONE  
DATE: REV. SEPT 2006

**11-10**

*[Signature]*  
DIRECTOR, COUNTY ENGINEERING